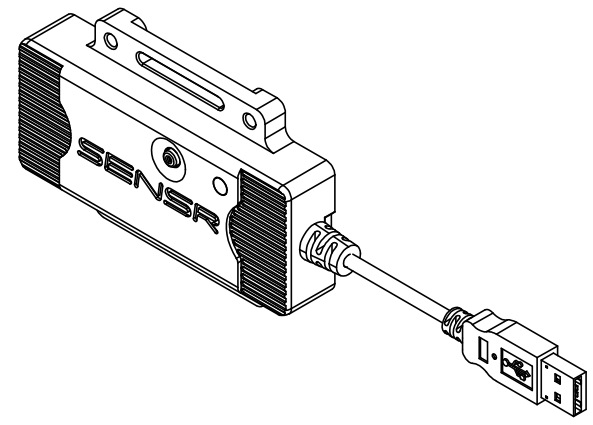
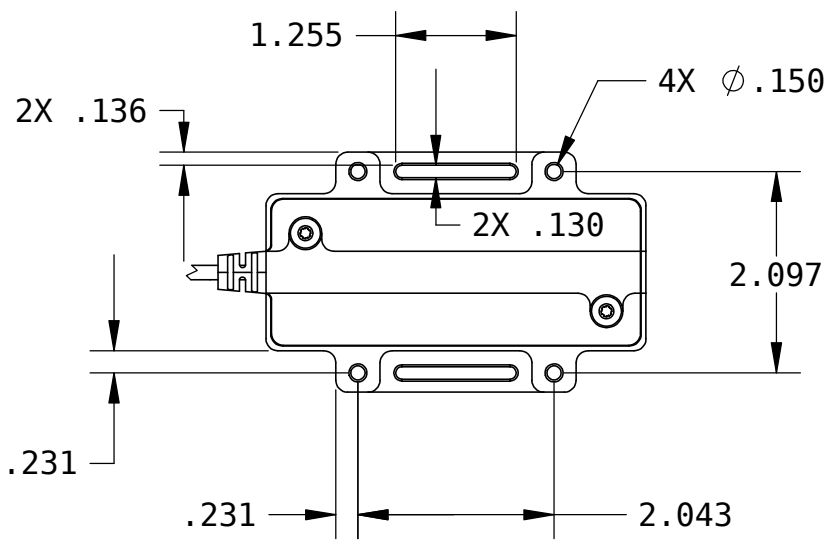


1:1 HOLE PATTERN



PROPRIETARY AND CONFIDENTIAL - THE INFORMATION CONTAINED IN THIS DRAWING IS THE SOLE PROPERTY OF REFERENCE, LLC. ANY REPRODUCTION IN PART OR AS A WHOLE WITHOUT THE PERMISSION OF REFERENCE, LLC IS PROHIBITED.

DESCRIPTION
SENSR GP2 - ASSEMBLED UNIT

